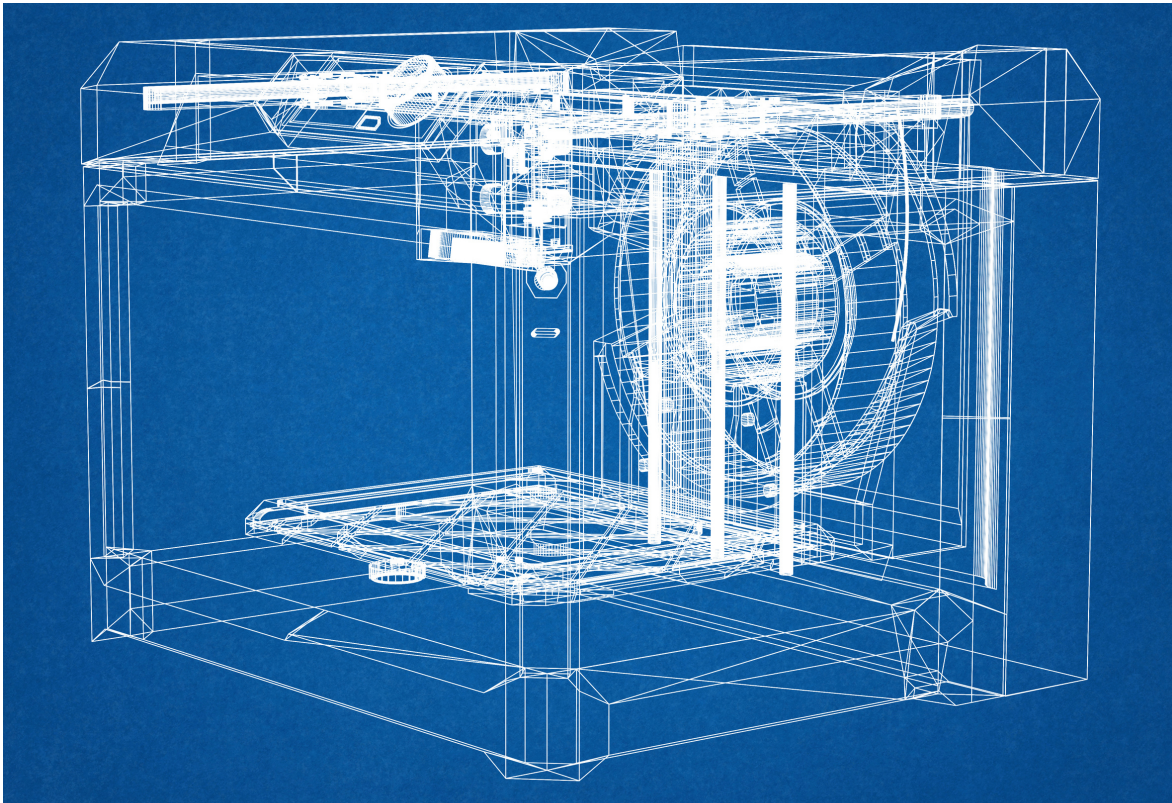




**MOUNTAIN LAKES**  
PUBLIC LIBRARY  
MAKERSPACE 

FOR ADULTS

# 3D DESIGN PROGRAM



Explore the art of 3D design and printing.  
Discuss 3D technology and resources.

Friday, April 8th  
7:30 pm - 8:30 pm



"THIS PUBLICATION/ACTIVITY/PROGRAM IS SUPPORTED IN FULL OR IN PART WITH FUNDS PROVIDED BY THE INSTITUTE OF MUSEUM AND LIBRARY SERVICES, ADMINISTERED BY THE NEW JERSEY STATE LIBRARY, AWARD NUMBER LS-250226-OLS-21."

